

ENGLAND

TARGET RIFLE TEAM



West Indies 2026



SWATCOM

Active360



AVAILABLE
NOW



The English Twenty Club



England Rifle Team to the West Indies 2026

Captain :	Philip Chapman-Sheath	GB, England, Lincolnshire
Vice-Captain :	Martin Liversage	GB, England, Lancashire
Adjutant :	Adam Leech	England, Hampshire

Team :	Matt Blythe	Gloucestershire
	Al Brown	England, London
	Felix Chapman-Sheath	Lincolnshire
	David Colegate	Gloucestershire
	Kit Crabtree	England, Middlesex
	Ben Craig	GB, England, Cheshire
	Jason Curd	Kent
	Ed Dickson	GB, England, Hampshire
	Edward Feast	England, Hertfordshire
	Ellie Hoolahan	England, Kent
	Matthew Keel	England, Berkshire
	Rupert Knight	Berkshire
	Sasha Radkovskii	GB, England, Oxfordshire
	Alex Sadler	England, Essex
	Nigel Stangroom	GB, England, Norfolk
	Daniel Studholme	Gloucestershire
	Chris Vonchek	England, Hampshire
	Rick Webb	England, Lancashire
	Archie Whicher	GB, England, Berkshire

Philip Chapman-Sheath
Captain
England Rifle Team to the West Indies 2026



ENGLISH TWENTY CLUB PRESIDENT'S FOREWORD



I am again ... both honoured and delighted to have been asked to write this Foreword to the brochure for what I believe, is the second England Rifle Team competing in the West Indies.

To be selected as a member of a National Team in any sport is, I'm sure, the ultimate ambition of every sports man and woman, and I have no doubt that this particular tour will again be special for all competitors.

On viewing the selected team, and I am most pleased to see that it includes some 'Young Lions', I am sure it will not only provide good competition but again ensure the continuation of the existing friendship between target rifle shooters around the world. I am confident that this particular tour will give all participants the pleasurable opportunity to renew old friendships and of course, forge new ones.

As the President of the English Twenty Club, I send my best wishes to the England Rifle Team, the hosting teams, as well as all those taking part.

Mick Barr
President, The English Twenty Club, Bisley

CAPTAIN'S FOREWORD



To be appointed as Captain of the national team is one of the highest honours that anyone can achieve. It is a privilege that carries an immense responsibility, and I am therefore, profoundly grateful to the Council of the English Twenty Club for the confidence they have shown in me by appointing me Captain of the England Rifle Team that will be competing in the West Indies Rifle Championships in Antigua & Barbuda in 2026.

I wish to express my sincere gratitude for the considerable support and assistance that I have received from my highly efficient management team, as well as from all team members, over the past year as we prepare for the rigours of international competition and the forthcoming tour. I would also like to extend my appreciation to our sponsors, whose generosity has enabled us to train and compete with the highest quality equipment. I also offer my thanks to our partners and families for their unwavering encouragement and support, which has been instrumental in allowing us to pursue excellence in our chosen sport.

We have selected a formidable team, comprising both seasoned England team members and promising new talent. I am particularly proud that we have included individuals who will be representing their country for the first time, as well as several others for whom this will be their inaugural tour abroad with an England team.

I offer my personal thanks to the Guyana Rifle Association for their generous hospitality in hosting us during the first week of our tour, and to Antigua & Barbuda Rifle Association for hosting us throughout the Championships.

Lastly, on behalf of the English Twenty Club and my fellow team members, I extend our deepest appreciation to the West Indies Fullbore Shooting Council for their gracious invitation to participate in the West Indies Rifle Championships 2026. We anticipate competing against highly experienced marksmen and recognise that we will need to be performing at our very best, both individually and collectively, in order to achieve success.

This will be my second tour to the West Indies, having previously travelled to Guyana in 2017. I eagerly look forward to renewing old acquaintances, forging new friendships, and experiencing once again the splendid scenery and legendary hospitality that is unique to the Caribbean.

Philip Chapman-Sheath
Captain, England Rifle Team to the West Indies 2026



GUYANA NATIONAL RIFLE ASSOCIATION PRESIDENT'S FOREWORD



Before the first shot is fired and the wind is read, this sport reminds us that discipline precedes precision, and character defines performance. It is in that spirit that I warmly welcome the England Fullbore Target Rifle Team to Guyana - a nation defined by both its natural beauty and its enduring hospitality.

On behalf of His Excellency Dr. Mohamed Irfaan Ali, President of the Cooperative Republic of Guyana, and in my capacity as President of the Guyana National Rifle Association, I extend a sincere welcome to Guyana. Guyana stands in a moment of national transformation - expanding its global presence while remaining anchored in values of humility, discipline, and collective purpose. These are values that resonate deeply with the sport you represent.

Fullbore target rifle shooting demands patience, composure, and trust - principles that extend beyond the range and into leadership, citizenship, and international partnership. Your presence here strengthens the bonds of friendship, mutual respect, and shared standards of excellence that unite our nations within the Commonwealth.

As the competition unfolds, I wish you steady hands, sound judgement in reading the winds, and the quiet satisfaction that comes from disciplined execution. May your time in Guyana be both invigorating on the range and rewarding beyond it.

Good luck, and good shooting.

Brigadier Omar Khan, MSS
Chief of Defence Staff
President, Guyana National Rifle Association

ANTIGUA & BARBUDA RIFLE ASSOCIATION PRESIDENT'S FOREWORD



The West Indies Full Bore Shooting Council Championship (WIFBSC), hosted by the Antigua & Barbuda Rifle Association, welcomes our visitors from England to the beautiful shores of Antigua & Barbuda.

The sport of shooting is founded on discipline, precision, and mutual respect. The presence of the English contingent adds a special dimension to this year's event, reinforcing the long-standing ties of friendship and sporting camaraderie that exist between our nations and our shooting fraternities.

I encourage all shooters to compete with integrity, to support one another, and to take the opportunity to forge lasting friendships beyond the firing line. May this tournament be remembered not only for fine marksmanship and celebrated victories, but also for the goodwill and shared respect that defines our sport at its best.

I wish all participants safe shooting, steady aim, and an enjoyable and successful tournament.

Welcome to Antigua!!

Thomas Greenaway
President, Antigua & Barbuda Rifle Association



ITINERARY

APRIL / MAY

Fri 10th April	Team Meets at Bisley for Final Briefing
Sat 11th April	Final Training Session
Sun 12th April	Packing & Travel to Airport
Mon 13th April	Travel to Guyana
Tues 14th April	Rest Day in Guyana
Wed 15th - Thur 16th April	Guyana Individual Championships
Fri 17th April	Visit to Kaieteur Falls
Sat 18th April	Short Range Team Match vs Guyana
Sun 19th April	Long Range Team Match vs Guyana
Mon 20th April	Departure to Antigua
Tues 21st - Sat 25th April	Acclimatisation in Antigua & Barbuda
Sun 26th April	Prep for Individual Champs
Mon 27th - Wed 29th April	West Indies Fullbore Individual Champs
Thur 30th April	Rest Day
Fri 1st May	Short Range International Team Match
Sat 2nd May	Championship Presentation and Prep for Return to UK
Sun 3rd May	Travel back to the UK
Mon 4th May	Land in UK and Return to Bisley - Message 10



England Rifle Team to the West Indies 2026



Back Row: E.C. Dickson A.R. Radkovskii J.A. Curd C.R. Vonchek M.P. Blythe E.W.V. Feast R.C.G. Knight M.J. Keel D. Colegate M.G. Whicher D.J. Studholme B.N. Craig N.D. Stangroom

Front Row: A. Sadler K. Crabtree A.I. Brown J.W.E. Lewis *GM* P.J. Chapman-Sheath M. Liversage A.J. Leech R.A. Webb F.A. Chapman-Sheath
(*Captain*) (*Vice-Captain*) (*Adjutant*)

Scan these QR Codes in order to access the live scores for the two international matches, as well as the rankings of the England Team Members in the individual competitions in Guyana and Antigua

Individual Scores Guyana

15 APR – 16 APR



International Match Guyana

18 APR 14:00 GMT
19 APR 13:00 GMT



Individual Scores Antigua

27 APR – 29 APR



International Match Antigua

01 MAY



@England_westindies_2026

England TR Touring Team





THE WEST INDIES FULLBORE RIFLE CHAMPIONSHIPS

The West Indies Fullbore Rifle Championships are a premier regional competition, governed by the West Indies Fullbore Shooting Council (WIFBSC). The tournament brings together the top marksmen from Caribbean nations - primarily Guyana, Jamaica, Trinidad & Tobago, Barbados and Antigua & Barbuda - alongside guest teams from the UK, Canada and the USA.

Historical Foundations:

The origins of organized rifle shooting in the region lie in the late 19th century and are closely associated with the colonial period, during which marksmanship was promoted as not only a practical skill but also as a regulated sporting activity. A key early milestone occurred in July 1897, when the Jamaica Rifle Association held its first recorded competition at the “Bisley” range, signalling the formal institutionalization of the sport. The outbreak of the First World War in 1914 temporarily interrupted the development of organized competition; however, in the postwar period, inter-island rifle shooting was revived through the establishment of the Swettenham Cup in 1920. Contested at distances of 300, 500 and 600 yards, the competition became a significant symbol of continuity and renewal, reinforcing regional connections and preserving established traditions of marksmanship.

Over the years, the major team championship has undergone several name changes, due to sponsorship. From 1973-1996, teams competed for the Benson & Hedges Cup, formerly known as the Anchor Cup. This era was primarily dominated by Jamaica with 11 wins, followed by Trinidad & Tobago with 6 wins, Guyana with 5 and Barbados with 1. The second iteration of the championships was the Witco Cup, which occurred from 1997-2000. Over the period, there was a tie between Guyana and Trinidad & Tobago with 2 wins each. Following this, the competition was the BWIA Cup, which ran between 2001-2007. Throughout this period, Jamaica and Guyana tied with 3 wins each and Trinidad & Tobago had 1 win.

Competition Formats:

Shooting usually takes place at Short Range (300, 500 and 600 yards) and when appropriate, also at Long Range (900 and 1000 yards).

WIFBSC Short Range Team Championship:

The West Indies Short Range Trophy, currently known as the WIFBSC Short Range Team Championships, is the most coveted team prize in Caribbean fullbore rifle shooting. It is contested only between Caribbean nations at distances of 300, 500 and 600 yards.

Milex Long Range Cup:

The Milex Long Range Cup (often called the Milex/Crown Mining Cup) is the premier Caribbean trophy for team shooting at 900 and 1000 yards.

Guyana has historically dominated this discipline in the West Indies Fullbore Rifle Championships.

International Team Matches:

As guest teams often have fewer members than the standard 8-person West Indian squads, a dedicated international match is often hosted to allow all nations to compete on an even footing.

The International Short Range Range Team Match is the principal team trophy that is competed by the visiting nations. It serves as a benchmark for overseas teams competing against the hosting Caribbean nations under

Winners of the WIFBSC Short Range Team Champs (2007 - 2025)

Year	Winner
2007	Guyana
2008	Guyana
2009	Guyana
2010	Guyana
2011	Jamaica
2012	Guyana
2013	Guyana
2014	Guyana
2015	No competition due to Palma
2016	Guyana
2017	Guyana
2018	Barbados
2019	Trinidad & Tobago
2020	Cancelled due to Covid-19
2021	Cancelled due to Covid-19
2022	Jamaica
2023	Guyana
2024	Guyana
2025	Antigua & Barbuda

standardized conditions. At the 2024 Championships in Guyana, Team USA took the Gold medal with an impressive score of 863.60v, finishing ahead of Guyana and Canada.

Another long-standing fixture is the British Commonwealth Rifle Club International Match, a friendly yet fiercely competitive event that is typically held between touring teams - such as England - and hosting Caribbean nations. While cordial in spirit, the match is widely respected as a serious test of both coaching strategy and individual marksmanship.

Individual International Honours:

Visiting shooters are also eligible for major individual titles within the “Open” or “International” categories:

Grand Aggregate Trophies: Visitors frequently dominate the top spots of the Grand Aggregate (combined individual scores). In the 2025 championships in Barbados, four of the top five individual shooters were from Ireland, led from the front by Nick Healy with the highest overall score (355.34v).

Recent Results & Notable Matches:

2025 (Barbados) : A strong Ireland team won both the Short Range (1120.67v) and the Long Range International trophies. Nick Healy (Ireland) was the highest score in the Short Range with 147.13v. Jonny Wallace (Ireland) top scored in the Long Range match with an equally impressive 99.6v.

2024 (Guyana) : An International Match to accommodate the 6-person squads of Team USA and Team Canada. Team USA won this match, with Guyana taking silver and Canada taking bronze.

2019 (Trinidad) : The championship included a friendly but highly competitive match against Team Canada, who won with a score of 1142 points, beating Trinidad & Tobago, who took silver with 1130 points and Guyana, who took bronze with 1128 points.

2017 (Guyana) : England took gold, narrowly winning the match with 1148 points, beating Ireland by a margin of 2 points, and Guyana, who took bronze with 1142 points.

The Wogart Cup (Top Individual Score in the Team Match):

This cup is awarded to the Caribbean marksman with the highest score during the short-range team championship. Recent winners include:

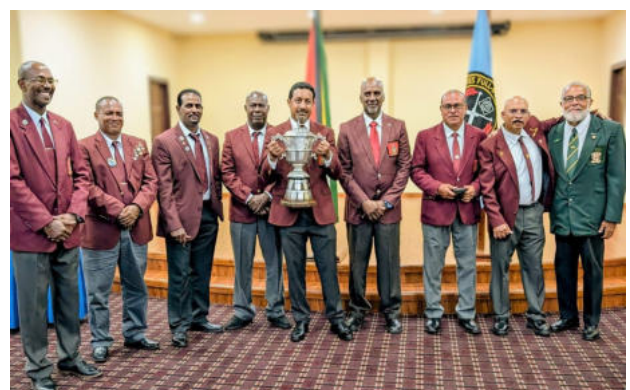
2024: Noah St. Clair (Antigua & Barbuda) with 147.16v

2023: Peter Persaud (Guyana)

Recent Milex Cup Winners	
<i>Year</i>	<i>Winner</i>
2007	Trinidad & Tobago
2008	Guyana
2009	Guyana
2010	Guyana
2011	Guyana
2012	Guyana
2013	Guyana
2014	Guyana
2015	No competition due to Palma
2016	Guyana
2017	Guyana
2018	Guyana
2019	Guyana
2020	Cancelled due to Covid-19
2021	Cancelled due to Covid-19
2022	Guyana
2023	Guyana
2024	Guyana
2025	Guyana



Guyana Rifle Team





2022: Dwayne Ford (Jamaica) with 146.10v

Of the winners of the Wogart Cup, Lennox Braithwaite of Guyana currently holds the all-time record with 7 wins (1999, 2011, 2012, 2014, 2016, 2017 & 2019). Following him with the second highest number of wins is Major (Ret'd) Denis John Nelson from Jamaica with 5 wins (1977, 1989, 1994, 2006 & 2008). There is then a tie with 4 wins a piece for Ransford Goodluck of Guyana (1995, 2002, 2003 & 2004) and Benet Thomas from Trinidad (1984, 1985, 1986 & 1998). Edgell Carrington of Trinidad has the fourth highest number of wins with 3 (1937, 1946 & 1948).

Bermuda Shield:

The Bermuda Shield is awarded to the top combined score across the individual competition as well as the team aggregate. Previous winners include Dwaine Ford of Jamaica, who won in 2024 with a score of 566.86v and Lennox Braithwaite of Guyana, who also won the X-Class Grand Aggregate.

Historical High Scores:

Over the years, there have been a number of excellent performances by both teams and individuals. One example of an individual performance was in 2012 when Lennox Braithwaite recorded a perfect 100.11v during the Milex Long Range Cup Team Match in Guyana. On the team side, Guyana currently holds the record for the highest aggregate score in the BWIA Cup (2001 - 2007), with a score of 1155.110v.

ION8

PROUD SPONSORS OF
THE ENGLAND, NRA UK AND
THE GREAT BRITAIN RIFLE TEAMS 2026

WWW.ION8.CO.UK





The English Twenty Club

Governing Body of English Fullbore
Target Shooting

Scan the QR Code to access the 2026 England Rifle Team's website, where the team will be posting daily diary entries, team announcements as well as further information



We would like to wish our club members, Phil Chapman-Sheath and Felix Chapman-Sheath, as well as the England Rifle Team the best of luck as they tour the West Indies.

Southampton Small Bore Rifle Club



NORTH
LONDON
RIFLE CLUB

- ◆ Discounted overseas rates
- ◆ Worldwide membership
- ◆ Annual Overseas Teams match
- ◆ Accommodation
- ◆ Catering & dining room
- ◆ Licensed bar & lounge
- ◆ Armoury & reloading room

Your home-from-home at
the home of target rifle
shooting, Bisley.

Contact secretary@nlrc.org for
more information



Wishing the England Rifle Team,
its captain Phil Chapman-Sheath
and our many other members
the best of luck in the West Indies



MEET THE TEAM MANAGEMENT

Phil Chapman-Sheath

Captain



This will be Phil's first England tour as Captain and his second to the West Indies, having thoroughly enjoyed the 2017 England tour to Trinidad & Guyana, he really wanted to sample some different beaches and rum!

Phil has also toured twice with GB (USA 2014 & Canada 2017) and has previously toured with England as Vice-Captain on the (COVID delayed) 2023 tour to Kenya & South Africa.

He has represented England on numerous occasions in the National, European Long Range, Protea and Lawrence matches. He is looking forward to leading this England team on an enjoyable and highly successful tour, aiming to make new friends while also helping to develop the next generation of international shooters.

Phil works in Hampshire as an Orthopaedic Knee Surgeon and is a Visiting Professor at the University of Southampton. When not shooting or operating, he spends time with his wife Stephanie and four sons on his boat in Poole Harbour.



Martin Liversage

Vice-Captain



With Martin having previously served as Adjutant for 4 touring teams (2x England, 1x NRA and 1x GB), the Captain thought him deserving of a promotion to Vice-Captain, which he willingly accepted.

Whilst this will not be Martin's first tour to the West Indies, he is very much looking forward to visiting new ranges with a new team and meeting new shooters from across the world.

Martin initially picked up a rifle with Preston Marine Cadets many years ago, both shooting and coaching to a respectable degree of success and has now gone full circle, finding himself as the National Coach for the Sea Cadet Corps.

During winter, he can be found on Altcar ranges in the northwest of England, often on a bleak Sunday afternoon. On the ranges at Bisley, he can occasionally be seen driving his tuktuk around camp during the Imperial Meeting.

Adam Leech *Adjutant*



Adam is delighted to be returning to the West Indies and gaining his management credentials where he earned his first England cap back in 2017 under the expert (shooting and social) tutelage of Dick Winney. Having toured with the rest of the management team then and/or since leaves him hope that he's as qualified for the role as the Captain clearly thinks he is!

All a far cry from his entry to the sport, Adam first shot as an Army Cadet with the No.8 .22 and Cadet GP rifles, moving on to Target Rifle at the University of Nottingham. He now shoots with various clubs, Police Sport UK, Hampshire RA and has squeezed in a handful of club, NRA and England tours along the way. He otherwise finds himself variously volunteering (or being volunteered) for multiple things, including Secretary for the English XX, BYSA's MR Captain and spots of club, cadet and other university/young shooter coaching. When not shooting, Adam is usually shooting, typically either considerably closer to (Smallbore) or further (MR) from the target.



Adam often finds himself fixing “stuff” for people, including as part of the armourer team for his last two tours, and he anticipates reprising this role in 2026. He otherwise finds himself trying to herd a half-deaf spaniel or occasionally working in the field of cyber/online crime (preventing, rather than committing, though the latter is reportedly more lucrative).



Kurt Thune is supplied and supported in the UK by EMRR shop

- jackets and trousers including made-to-measure
- gloves
- slings
- underlayers
- shooting mats

East Midlands Regional Range Shop

1 Butler Close, Cropwell Butler,
Nottingham NG12 3AF
Tel. 01159 332517 /
07867 588300
contactus@emrr.org.uk
www.emrr.org.uk



... Proud sponsor of the NRA Overseas Tours ...



From Paper to Performance

Unlock the power of your data.



Scan to start free

vantage.shootr.app



Vantage turns your paper plotsheets into a secure, searchable digital archive. Scan in seconds and turn every shoot into actionable insight.

For individual shooters

- ✓ Scan in seconds – Vantage uses AI to read your plotsheets and capture your data.
- ✓ Instant search – Find any card and see how you've improved over time.
- ✓ Deep analytics – Over 20 analytics to pinpoint where to focus your training.

For teams

- ✓ Data-driven selection – Pick teams on performance, not guesswork.
- ✓ Identify training needs – See strengths, weaknesses and priorities at a glance.
- ✓ Track squad performance – Follow your squad across matches, tours and seasons.



SWATCOM

Ballistic Eyewear

As worn by GB Rifle Team 2026



- The most advanced shooting eye protection in the world.
- Ballistic optical class 1 lenses for distortion free vision and perfect colour recognition.
- Fully certified to EN166 KN FT CE, ANSI- Z87+, STANAG V50 - 243m/s.
- Featuring Bloc Tactical's advanced Anti-Fog Technology.



MEET THE TEAM

Matt Blythe



Beyond plinking air rifles in the garden as a teenager, Matt first entered the world of competitive shooting behind a L86A2 whilst in the Army Reserves, and upon joining The North Herts Rifles was convinced to give TR a try. Thanks to that group, and the Gloucestershire County community, he's now been shooting TR for ~ 12 years.

Matt had his first entry into touring in 2023 with the NRA team to the Channel Islands, the same year as he graduated from the English Lions Development Squad.

While it was a busy year, the focus on shooting really helped the performances, achieving places in both the St George's and the King's Final that July.

Outside of shooting, he can often be found on the hills around southwest England with his dog Bailey, and wife Kim, or under his MX5 trying to keep it alive for just one more year.



Alastair Brown



This will be Alastair's first overseas tour to the West Indies and his fourth with the England Rifle Team (previously South Africa 2013, Kenya & South Africa 2023 and USA 2024). In March 2024, he competed as an individual in the World Long Range Target Rifle Championships at Bloemfontein, SA, marking his fourth tour to that range. Previous tours include Canada three times (1990, 1991 (Athelings), 2025) and the Channel Islands with the NRA Team in 2002. In 2013 he was reserve for the GB Rifle Team to Canada. Alastair has shot for England in the European Long Range Championships four times, RSA International twice (2013 & 2023), Protea Match (2023), Kenya Match (2023) and has twice been a reserve for England in the America Match (SA 2013 and Raton, USA 2024), reserve in the National Match (2013) and reserve in the MacKinnon (2024) and shot in the Lawrence Match in 2025.

Outside of shooting, Alastair enjoys spending time with his young family, dog walking, cooking and entertaining.

Felix Chapman-Sheath



The oldest of the Chapman-Sheath boys, Felix began his shooting career with the Southampton Smallbore Rifle Club, progressing into fullbore at the age of 13 with the NLRC. He now shoots regularly for Lincolnshire in the Intercounties matches. A busy sporting life at both school and then Coventry University, alongside playing National League hockey for Fareham HC, meant that shooting took a back seat for a few years, but he was still able to regularly participate in the Imperial, as well as annual events, such as the English XX Spring Meeting.

Having graduated from University in 2025 with a degree in Automotive Design, he has started a career in superyacht design. Recently, he has found himself with more time to concentrate on developing his shooting and has really treasured this opportunity to train with such a talented squad, learning from some of the best. Outside of target shooting, Felix enjoys clay pigeon shooting, skiing and in the warmer months, spends time as a qualified ski-boat driver with the rest of the CS crew on their boat in Poole Harbour.



David Colegate



David Colegate came to fullbore shooting around 7 years ago following a fun visit to Bisley with a black powder club. He discovered he could hit the target and has steadily committed himself to the sport since then.

His development within shooting has grown from Gloucestershire County shooting, NRA Channel Islands Team 2024, English Lions Squad 2025, England Reserve to a full England cap as part of the 2026 Touring Team to the West Indies. David is also the team Adjutant for the 2026 NRA Channel Islands Team where he is proud to be able to introduce the Islands to the next generation of competitive shooters.

His proudest moment came during the 2025 Imperial Meeting when he won the Barlow Cup with a 75.14 (50.10 to count) at 900yds and a HPS at 1000yds during the long-range county shoot.

David makes time to do some work between shooting, motorhome holidays and running a house clearance company in Bristol



TenPointNine Principle

Ambidextrous **Unisex**
Easy-fold sleeves **Versatile**
Comfortable



Available in
2XS - 4XL

Principle Jacket - BRAND NEW
Addition to the Principle series

www.tenpointnine.com/principle-jacket



“I am proud to be wearing the TenPointNine Principle Jacket whilst gaining my first England cap on the tour to the West Indies. The lightweight waterproof canvas material provides a stable sling position for improved consistency and accuracy whilst also allowing for adjustable and comfortable wear in hot weather, a great alternative to the stiffer, heavier traditional shooting jacket, which I hope will prove to be advantageous in the Caribbean heat.”

Felix Chapman-Sheath
England Rifle Team

TenPointNine



We would like to wish our club member, David Colegate, and the England Rifle Team the best of luck as they tour the West Indies.

East Bristol Rifle & Pistol Club



We would like to wish Edward Feast as well as the England Rifle Team the best of luck as they tour the West Indies.

Hertfordshire Rifle Association



President: Mick Barr



MEET THE TEAM

Kit Crabtree



Kit first started shooting competitively through Wiltshire ACF. The opportunity to both shoot for, and captain his county's cadet team is a memory he looks back upon fondly.

This will be Kit's second tour with England, his first being Kenya & South Africa in 2023. Kit performed well across the five team matches within England, finishing with the highest score in one of the matches and the second highest scores in two others respectively. Kit's most notable individual achievement would be winning the first stage of HM Queen's Prize in 2019.

Kit has a trade background in carpentry which has progressed into Site Management in recent years. He has been fortunate to both work on and manage a wide range of impressive high-end residential refurbishment projects, some of which are rewarding. A contemporary restoration of an old mill in Bishopstone stands out as a particular highlight.

Away from Target Rifle, Kit regularly enjoys playing padel, shotgun shooting, skiing and the occasional run or cycle. Having never been to the Caribbean, Kit is looking forward to competing in the West Indies with the rest of the team and representing England.



Ben Craig



Ben has been shooting for more than 20 years, having taken it up as a student at the University of Oxford. He now regularly shoots with the NLRC and with Cheshire, having served as captain of both teams. A long-serving supporter of English shooting, Ben can often be found helping with the National (although he has yet to be selected to shoot), was selected for the Lions program in 2021-22, and is proud that half of his England caps have been achieved as an Adjutant. Ben has previously toured to the Channel Islands with the NRA and OCRA, as well as to Canada as a member of the Great Britain Rifle Team. Ben is looking forward to exploring new ranges and making new friends in the West Indies.

Away from the ranges, Ben is Head of Technical for Ayming, an innovation funding consultancy where he leads a team of tax advisors and consults on government policy. He lives in North London, maintains an armchair interest in cricket and rugby, and enjoys a wide and eclectic selection of music.

Jason Curd



From an early age, Jason (or Moose as you may know him) was surrounded by shooting as his Grandfather was a regular rough shooter. It was the Air Training Corps that provided him with his first competitive shooting experience, initially with a no.8 and progressing to fullbore when his age permitted. His first experience of fullbore was with an SLR from a pit, in pouring horizontal rain at Tregantle Ranges in Cornwall. Despite barely being able to cock the rifle or see the sights, he instantly acquired the ‘fullbore bug’. He was given an opportunity to attend the Inter-Services Cadet Rifle Meeting (ISCRM) in 1988 as a butt marker, however, his coach made a last minute change which resulted in him finishing second in the Cadet 100. He returned for two more ISCRMs and eventually secured a place on the 1991 Athelings team.

Jason has worked in the cross channel ferry industry for over 35 years, the last 27 of which have been with Eurotunnel as a business analyst. In his spare time, he enjoys all types of shooting and generally being outdoors and can often be found at Bisley with his daughter who sadly prefers shopping to shooting.



Ed Dickson



Having risen through the touring ranks - British Schools smallbore, Athelings, GBU19s, GBU25s, NRA and GBRT, this will be Ed’s first tour with England. He has taken a break from overseas touring since the GB team’s trip to Canada in 2017 - around the same time his two sons were born... Ed began shooting in 2001 at Malsis School, winning the prep school air rifle championship in 2002. Winning the Schools Hundred in 2004 as part of the victorious Cadet Pair at Oundle, he then moved to Marlborough College, where he claimed the Cadet Grand Aggregate in 2006 and competed in his first Sovereign’s Final.

He continued shooting throughout his years at Cambridge University, where he met his wife and made lifelong friends - so it’s fair to say shooting has been a central part of Ed’s life! Over the year, he’s earned a collection of National, Mackinnon, and GB caps, along with several Sovereign’s and St. George’s badges. He was especially proud to win the Alexandra in 2012 and became the first Old Mulburian to win the Aidan Reece Aggregate in 2017 (Queen’s I, St. G. I, & POW) - Aidan Reece himself being an Old Mulburian, albeit only

briefly. At this rate through the alphabet, Ed jokes he might reach the “Bs” in about 15 years and the King’s Prize in another hundred years!

Despite individual successes, Ed really enjoys team shooting & coaching - mostly with Hampshire, and occasionally with silverware! No stranger to pressured situations, he cites scoring 1198 in the Canada Match and 105s in each of his two National caps as particular highlights. Having toured to most other destinations, he’s very much looking forward to adding the West Indies to his list. In his spare time, he works in the finance team for Barclays.



Clearview Scopes are proud to sponsor the England Rifle Team 2026 to the West Indies. Wishing the team every success in their forthcoming tour.

simonshouler@hotmail.com

07943881665



Wishing The England Rifle Team and our members the best of luck on their tour to the West Indies

**Interested in joining the British Young Shooters Association?
A club designed to support young shooters**

**Find out more at:
bysa.myclubhouse.co.uk**



J Raymond Welch Surveyors send their best wishes to the England Rifle Team on their tour to the West Indies.



Always Hitting Your Target

Levels 2 and 3 surveys—Fast and accurate surveying to achieve your aims, serving London and the South-east.

Scope us out: 020 8366 5347 + info@jrwltd.com
www.jrwltd.com.



Confidence is Light

Cooling UV Undergarment

- Cooling Fabric With Four Way Stretch.
- Lightweight & Breathable.
- UPF 50+ Fabric That Blocks UV Rays.
- Thumbholes To Secure Garment Under The Jacket.
- Padding On Both Shoulders For The Rifle Butt.
- Detachable Hood With Moldable Cotton Peak.



Designed by the England rifle team
in partnership with
ANNIOU

www.anniouclothing.com



MEET THE TEAM

Edward Feast



Ed started out shooting at the age of 8 in his back garden with a Webley Junior air rifle, progressing to smallbore training with the Air Training Corps using No.8's and then carried on to shoot as part of the Stevenage Rifle & Pistol Club where he learned to properly shoot Target Rifle, using a borrowed Match 54 at the age of 16. Ed's development into fullbore quickly followed as only 18 months later, he found himself not only competing in the Imperial Meeting for the first time but also visiting Bloemfontein, SA as an individual in their annual meeting.

Since then, Ed has gone on to be a part of the English Lions, The Lawrence Match, Reserve in the National, The European Long Range Match, 2023's NRA Channel Islands Tour, as well as his first England Tour to Raton, New Mexico in 2024. He regularly shoots for Hertfordshire and is Vice County Captain of Solihull RPC in Warwickshire where he trains all year round.

Ed graduated from Sheffield Hallam in 2017 with automotive engineering and presently works for Jaguar Land Rover as a Lead Engineer in Powertrain and Propulsion systems for both hybrid and battery electric vehicles, having also had experience with Ford, BMW, and Case New Holland Industrial. If he is not at the range practicing, Ed enjoys running, designing products for shooting use and practicing different forms of music. With so much momentum behind him from his first England Tour in the USA, Ed is keen to get stuck in and develop his skills further with a sharp eye on the details, and with luck, bringing back the ultimate prize for the team.



Ellie Hoolahan



Ellie started shooting aged 13 at Sevenoaks School and continued to go on to keep up sport after leaving, firstly for the sixth form and then at Southampton University.

Notable successes in Ellie's shooting career include winning the Edna Parker Trophy (Short Range Aggregate) in Guernsey whilst touring with the NRA team in 2012, as well as going on tour to both South Africa in 2013 and Canada in 2019 with the England Rifle Team. On home turf, Ellie secured second place in the Police Rifle Aggregate during the 2017 & 2018 Imperial Meetings and also won the Police Sport UK Championships short range competitions in 2018.

Ellie's primary job is similar to the sport, but we can't really go into the details, but her second job is as a group exercise instructor, serving as an ambassador for Spartan Race and racing frequently right up to ultras.

Matthew Keel



Matthew earns his first England touring cap as one of the younger members of the team, at the ripe old age of 21. He first picked up a rifle at Bradfield College in 2017 after begging his teachers to let him, because he “really wanted to shoot a gun”. He happened to be fairly adequate with a rifle, and since then has toured to Jersey with the Athelings in 2022, captained the Bradfield team to an Ashburton victory in the same year, toured to Guernsey with GBU19 in 2023, made his England debut in the National in 2024, finished 25th in the Grand Aggregate, won the Scottish U25 Open, and revisited the Channel Islands with the NRA team in 2025.

By the time you are reading this, he will have (hopefully) completed his Film and Television Production Degree at the University of York and will be most likely on the job hunt for something media-related. When not at Bisley, Matthew spends a rather sad amount of time playing video games with his friends and also enjoys bouldering - the closest he really gets to a “gym” - playing guitar and bass, and occasionally presenting shows at his university radio station. He is a keen darts player (the operative word being “keen”, not “good”), and “competes” at a university level. Matthew will also be touring with GBU25 to compete in Australia later this year.



Rupert Knight



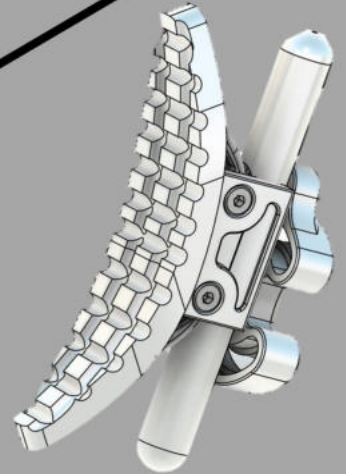
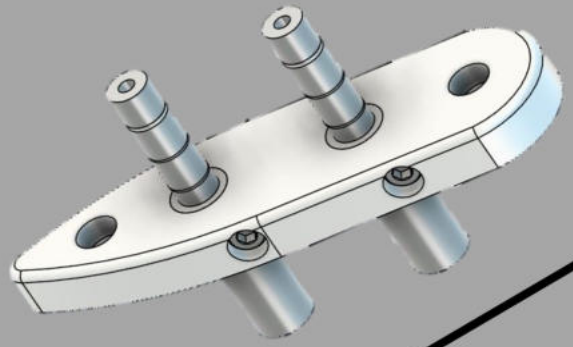
Rupert first picked up a rifle at the age of 13 while at the Oratory School and has been hooked ever since. In 2010 he shot for the UKCRT on tour in Jersey, returning to the island in 2018 with the Cardinals. In 2019 Rupert had the honour of captaining the Army Target Rifle Team’s tour to South Africa.

After a short hiatus from shooting due to the operational tempo of the Army, he is now back shooting regularly and is currently the Adjutant for the Army Target Rifle Team. The highlight of his shooting career so far is scoring a 75.14 in St. George’s I (to place second) and not entering the Ghurkha appeal - you only make that mistake once.

Away from the firing point, Rupert is a Major in the Royal Tank Regiment, currently based in Northwood HQ. His home life is full of energy thanks to his wife Becca, their two-year-old son Elliot, and irrepressible Dalmatian Sprocket. Between the Army, family, and the range, there’s rarely a quiet moment - but he wouldn’t have it any other way.

PARROT RIFLE SYSTEMS

Adapting To You



parrotriflesystems@gmail.com

SOLIHULL RIFLE AND PISTOL CLUB

Solihull Rifle and Pistol Club are proud to support Edward Feast and the 2026 England Rifle Team on their tour to the West Indies



Above: Edward Feast – England Rifle Team





ANNIOU

Anniou Clothing specialises in stylish apparel designed to enhance comfort, performance, and protection.

Catering to men, women, and kids, their collections include heated clothing, breathable sportswear, and UPF-rated sun protection gear.



www.anniouclothing.com



MEET THE TEAM

Sasha Radkovskii



Sasha is delighted to be travelling to the West Indies with England, having previously been on club and NRA tours to the Channel Islands and most recently with GB to Canada in 2025. He first picked up a rifle at Sevenoaks School in 2012 but did not compete as an individual at Bisley until the 2019 Imperial Meeting. He has since made 4 appearances in King's and George's Finals and won the 2025 Sunday Aggregate at Bisley.

Sasha has been a regular on the Oxfordshire county squad and following his stint on the Lions programme has shot for England in the European Long-Range Championships and the Lawrence Match, having also been the reserve for the National in 2024. This will be his first national touring cap, and he is excited to have the opportunity to visit new and exotic ranges.

When not shooting, Sasha is mostly thinking about shooting as TR Captain for the British Young Shooters Association, and is completing his Masters in Philosophy at the University of Warwick. For the last two years, he has also run his own investment and advisory firm

that advises private technology companies on growth strategy, corporate governance and ethics. Outside of work, Sasha's other interests lie in skiing, diving and travelling the world.



Alex Sadler



This will be Alex's first shooting tour to the West Indies and second with the England Rifle Team, having been on the USA England Tour to Raton, New Mexico in 2024. Previous tours include the Channel Islands with the NRA Team in 2022. Alex can often be found on ranges all over camp as he also shoots CSR, Gallery and Shotgun. Alex has really enjoyed his growth in the TR space over the last 4 years, probably helped by having some major successes to date including 3 England caps in the last 12 months!

Outside of shooting, Alex enjoys spending time with his young family, playing poker and being in the mountains whenever possible. Professionally, Alex is the Group Head of Talent for one of the world's largest online casino brands.

Nigel Stangroom



Nigel started shooting whilst at Gresham's School in Norfolk in the 80s and enjoyed some success individually in his early years, most notably winning the Century in 1986 with 44 consecutive bullseyes to win the tie shoot prior to the introduction of V Bulls! After that, he concentrated on being a reliable team shot, learning from his illustrious teammates in Norfolk, of whom he has since captained for around 10 years. Nigel's first Great Britain tour was to the West Indies in 1996 and his second was to New Zealand in 2010. He has also shot in the National 3 times and the Mackinnon once. Nigel very much enjoyed his last England tour to Trinidad & Tobago & Guyana in 2017. He has recently revitalized his shooting as a result of winning a TenPointNine jacket in the 2024 GB raffle and thus successfully gained a place on this 2026 England tour to the West Indies.

At home, Nigel is MD of a large family farming business with horticultural roots, specialising in herb production for freezing mint for Colman's and blackcurrants for Ribena. He is married to Vicky and has 2 grown-up children, Charlie and Sophie. In his spare time, he enjoys game shooting, walking and fly fishing.



Dan Studholme



Dan started shooting in 2016 when he joined the University of Exeter Rifle Club, initially shooting smallbore, before moving on to fullbore and experimenting with historical service rifle with a .303 Lee Enfield. Dan became a successful part of the BYSA historical service rifle team, notably being part of the winning historical falling plates match for 3 years in a row.

Alongside individual shooting, Dan became the Treasurer for the county of Gloucestershire Rifle Association and represented the county in the KGV and Inter-Counties competitions. Being part of the long-range team that came second in the 2025 County Long Range Match during the Imperial Meeting, as well as the team that came second in the KGV final in 2025.

Outside of shooting, Dan works as a project accountant in Bristol and keeps fit for shooting by playing tennis. This will be the first travelling tour for Dan, after being a reserve for the NRA Channel Islands Team for 2024/25.



RETURN TO THE WEST INDIES

Written by Nigel Stangroom

I didn't think this would happen again!

I look back with great fondness to our previous goodwill tour in 2017 to celebrate the Guyana NRA's 150th anniversary. After having already been lucky enough to have competed on one tour of the West Indies in 1996, it was a great privilege to take part in another, especially as my teammates and I still dub 2017 'The Best Tour Ever'.

Nevertheless, despite all these happy memories, my relationship with shooting has rather ebbed and flowed in these past 8 years, hence my astonishment at being given another opportunity to head across the Atlantic. There are various reasons why, of which I will spare you details, but, in short, I had begun to lose interest in the sport.

However, a simple twist of fate sucked me right back in when I received a call after the King's Final in 2024 that I had been lucky enough to win a brand new TenPointNine Fullbore Shell.

Then, when I heard whispers from Phil Chapman-Sheath in early 2025 of a potential return to the West Indies, I now had something to aim for (pardon the pun). And lo and behold, I made the cut!

However, even with a reinvigorated interest in shooting, some might still wonder why I chose to come back to the West Indies when I could have waited for another tour to pastures new. The simple answer for me is that I know what to expect.

From the wonderful welcoming nature of the locals, to watching bats calmly swoop down and drink out of the pool whilst we were in it in Trinidad, or to a visit to the awe-inspiring Kaieteur Falls in Guyana - the world's largest single drop waterfall, there are so many wonderful things about the Caribbean that means that one single trip just won't suffice. Just be prepared for the heat and humidity!

Any tour is also the perfect opportunity to build friendships that last. Our group in 2017 was a small one, so we did most things together, and our captain, Dick Winney, put a real emphasis on forging camaraderie. His



main method in achieving this was the tradition of ‘Sundowners’ drinks every evening before supper after a good day’s shooting - a tradition we still make sure to honour every Saturday evening of the annual English XX Meeting. Thankfully, rum punch is one of the few alcoholic drinks that I can still handle these days!

So, to anyone considering going on tour, do it. You certainly won’t regret it, and never assume any tour might be your last either.



Kaieteur Falls - Guyana



MEET THE TEAM

Chris Vonchek



Chris started shooting in 2014 whilst at Wellington College, under the tutelage of Nigel Ball and has continued to shoot every year since. Since leaving Wellington, Chris has experienced touring with the GBU25 team to Bloemfontein, SA in 2023 and the NRA team to the Channel Islands in the same year.

As well as gaining experience on tour, Chris has represented Hampshire County on numerous occasions over the last few years and has shot regularly for the North London Rifle Club. In 2024 he came 3rd in the NLRC Closed Championships and won the Bronze Jewel. Furthermore, Chris was part of the English Lions Development Squad for 2022-23 as well as 2023-24, and in 2024, he represented England for the first time in the Lawrence Match. While this will be Chris' third tour, it will be his first as part of a national touring team and he is very excited to train and compete alongside the team, while experiencing the ranges and environment in the West Indies.

When he is not shooting, Chris spends his time running events for the North London Rifle Club and has acted as the Co-Captain of Target Rifle. This year, he is taking on the role of Manager of Shooting for the club. Chris studied Ancient History at the University of Kent and is now working as a Project Manager at a Software Company.



Rick Webb



Rick started shooting in 1980 with the Sea Cadets at RAF Sealand 200 yards, using a .303 Lee Enfield. He has seen a number of notable achievements in his shooting career including 2nd in the Frankfort and 3rd in the Watts Bowl in the ISCRM 1983, top scorer for England in the 2023 Protea Match and a number of Queens and Kings finals. Rick has previously toured with the NRA to the Channel Islands in 2019 and South Africa with England in 2023.

Outside shooting, Rick works part time at a local college and full time as “dad’s taxi”. He is still involved with his local Sea Cadets.

The King of England once tapped Rick on the shoulder to shake his hand after being driven around Manchester in the afternoon. Rick then watched him jump into a helicopter and fly himself home!

Archie Whicher



Archie began his shooting journey at RGS Guildford back when Adam and the Ants topped the charts and the UK had only three TV channels (the early 1980s for those born after the millennium). He progressed from smallbore to fullbore at the age of 13, with a Lee Enfield No.4 rifle - yes, the classic from WWII - as his first. After representing his school, he went on to compete for junior international and university teams before joining the Old Guildfordians Rifle Club, which he later captained for many years.

In 2004, Archie returned to RGS Guildford as a coach for both smallbore and fullbore shooting, a role he continues to enjoy. His senior international career began in 2010 following an NRA tour to the Channel Islands the previous year, and since then he has represented both England and Great Britain on multiple tours (2010, 2014, 2019, 2023). He also contributes as a coach for the English Lions Development Squad.

Archie uses his wealth of experience to devise ever more creative excuses for the occasional dropped point, and his goals for this tour are simple: to shoot well, entertain teammates and locals alike, and “chill in a totally tropical way”.



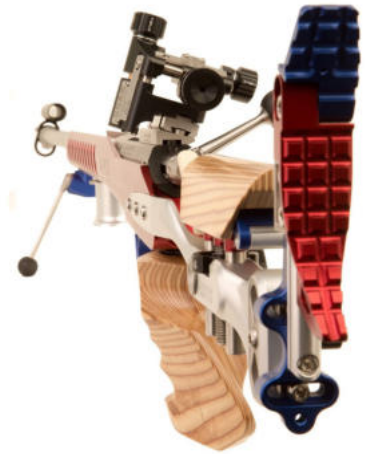
ROBERT NIBBS

RIFLE MAKER

The New TR1 Target Rifle with the LEAR Action



www.rifle-maker.com



Realise your potential

Congratulations to Old Wellingtonian Christopher Vonchek on his selection for the England team, from the next generation of aspiring shooters and everyone at Wellington College. We wish him and the whole team a most enjoyable and successful tour of the West Indies.



OW Christopher Vonchek - England Rifle Team

wellingtoncollege.org.uk

Co-educational excellence in the heart of Berkshire.



Est. 1870

Farming with Horticultural Roots

Hamrow Farm
Whissonsett
Dereham
Norfolk
NR20 5SX

Mobile: 01328 700291

Email: office@stangroombrothers.co.uk

Website: www.stangroombrothers.co.uk

**Proud to support to the England Rifle
Team to the West Indies 2026**



General gunsmithing services, from fitting sights and re-barreling to complete custom builds, I can help you with your project. I fit barrels from a variety of manufacturers including Pendragon, Phoenix & Lothar Walther for centrefire rifles and Shilen & Lilja for rimfire rifles.

I make accessories like the popular lightweight touring scope stand

I wish the England Rifle Team to the West Indies 2026 every success and hope they have a very enjoyable tour.

Website: crispinengineering.co.uk

Email: david@crispinengineering.co.uk

Mobile: 07940547895



PREP | SENIOR | SIXTH

Wishing the England Rifle Team every success in their tour of the West Indies this spring.

We are proud to see long-serving RGS shooting coach, Mr Martin 'Archie' Whicher, representing and coaching the sport at the highest level.

RGS Guildford provides an exceptional education for students aged 3 to 18.

Find out more at rgsg.co.uk





ENGLISH LIONS ON TOUR



Written by Dan Studholme

The English Twenty Club is proud to announce that several members of the Lions Development Program have been selected for the 2026 England Tour to the West Indies - a tremendous achievement that reflects the hard work, passion and progress of every member.

In total, four of the team are new England caps who have been part of the Lions Development Squad: Matt Blythe, David Colegate, Rupert Knight and Daniel Studholme. Other team members who have also been part of the Lions program include Matt Keel, Sasha Radkovskii, Alex Sadler, Chris Vonchek, Rick Webb & Ed Feast.

The goal of the Lions Program is to equip English shooters and coaches who are aiming to become high performing shooters with the skills necessary to represent England at the international level. This is done through expert coaching from some of the best shooters and coaches that England has to offer, targeted goal setting to focus on meaningful development, and an assigned personal mentor to offer tailored feedback and advice.

David Colegate shares his experience:

“The Lions Development Course mantra is “You get out what you put into the program” and this is so true. I committed myself to the course and with the support of my mentor, John Warburton, stuck to an intensive winter training program...selected as a reserve for the Lawrence Match...I then had a good English XX Spring Meeting, won the 900yds shoot at the Gloucestershire Cobweb Buster meeting...a great Imperial Meeting, winning a trophy with a 75.14.”



These achievements were made possible by the combined support of the individual mentors, the Lions management team as well as the skills and dedication applied by each member of the squad.

Matt Blythe shares his experience:

“So much of shooting progression is working through conflicting advice. The Lions program gave me access to a central pool of people that I knew I could trust, as well as a syllabus which gave me the opportunity to test out identified changes - both positional, as well as the mental and preparational aspects of the sport. I can’t thank the organizers enough for the quality and professionalism of the delivery, and the impact that it has had on my shooting.”



English Lions

Part of the English Twenty Club talent pathway, preparing up and coming members for international matches with:

- ◆ Team drills
- ◆ Goal setting
- ◆ Psychology
- ◆ Elite level coaching
- ◆ Mentoring
- ◆ Match Practice

2022 Queen's Prize Winner
18 of the Grand Aggregate Prize List
73 National Match caps since 2018
13 of the 2026 touring team



English Twenty Member ◆ Over 18 ◆ No or One caps
For more details, contact lions@englishtwenty.org.uk

“Own Your Own Performance”

The English Twenty Club
Governing Body of English Fullbore Target Shooting

The Club wishes its team
the best of luck and good
shooting in the West Indies.

Are you an English shooter? Are you not yet a
member? Join the club and make yourself
eligible to tour and shoot for your country!

Contact membership@englishtwenty.org.uk for
more details.

<https://englishtwenty.org.uk>



The English Twenty Club
Governing Body of English Fullbore Target Shooting



CRABBS RIFLE & PISTOL RANGE ANTIGUA

The Crabbs Rifle and Pistol Range is the premier marksmanship facility in Antigua & Barbuda, located within the Crabbs Training Area (CTA) on the Crabbs Peninsula. It serves as the home base for the Antigua & Barbuda Rifle Association (A&BRA) and is a critical site for regional fullbore competitions.

Facility Overview:

- **Location:** Situated on approximately 45 acres of land on the north-eastern side of Parham Town.
- **Military Status:** The range is part of a high-security military base that houses the First Antigua & Barbuda Regiment (1 ABR). It is shared by the Antigua & Barbuda Defence Force (ABDF), the Royal Police Force, as well as civilian marksmen.



Range Capabilities:

The facility is designed for diverse marksmanship disciplines, hosting both individual and team segments of the West Indies Fullbore Championships.

- **Distances:** The range accommodates short-range shooting at 300, 500, and 600 yards
- **Championship Host:** The range was a primary venue for the 2023 West Indies Fullbore Shooting Championships

Historical Significance:

During the Second World War, the peninsula was leased to the US Military in 1941 for a period of 99 years under the “destroyers-for-bases” deal. It originally housed a US Naval Air Station and Marine Corps camp, which closed in 1945, but established the area’s military footprint.

The “destroyers-for-bases” deal was an agreement between the United States of America and the United Kingdom on 2nd September 1940, according to which 50 *Caldwell*, *Wickes*, and *Clemson*-class US Navy destroyers were transferred to the Royal Navy from the US Navy in exchange for land rights on British possessions. At the time, the United States was neutral in World War II.

Generally referred to as the “twelve hundred-ton type” (also known as “flush-deck”, or “four-pipers” after their four funnels), the destroyers became the British *Town class* and were named after towns that were common to both countries.

US President Franklin D. Roosevelt used an executive agreement, which did not require congressional approval. He was sharply criticised by anti-war Americans, who took the position that the agreement violated the Neutrality Acts.

Background:

By late June 1940, France had surrendered to Germany and Italy. The British Empire and the Commonwealth stood alone in warfare against Hitler and Mussolini. The British Chiefs of Staff Committee concluded in May that if France collapsed, then they did not believe that they “could continue the war with any chance of success [without] full economic and financial support” from



the United States. The US government was sympathetic to Britain's plight, but the US public opinion overwhelmingly supported isolationism to avoid involvement in "another European war". Three years before that, the US Congress, reflecting that sentiment, passed the Neutrality Acts, which banned the shipment or sale of arms from the US to any combatant nation. US President Franklin D. Roosevelt was further constrained because the 1940 Presidential election was approaching and his critics sought to portray him as being pro-war. Legal advice from the US Department of Justice stated that the transaction was legal.

By late May, the evacuation of British forces from Dunkirk, France, during Operation Dynamo caused the Royal Navy to urgently require ships, especially as it was fighting in the Battle of the Atlantic in which German U-Boats threatened the British supplies of food as well as other resources that were essential to the war effort. With German troops advancing rapidly into France and numerous members of the US Government who were convinced that the defeat of France and Britain was imminent, the US sent a proposal to London via the British ambassador, the Marquess of Lothian, for an American lease of airfields on Trinidad, Bermuda and Newfoundland.

On 27th May, the British Prime Minister, Winston Churchill initially rejected the offer on the grounds that Britain wouldn't receive something immediate in return. On 1st June, as the defeat of France loomed, Roosevelt bypassed the Neutrality Act by declaring as "surplus" many millions of rounds of US ammunition and obsolescent small arms and authorising their shipment to Britain. Roosevelt rejected Churchill's pleas for destroyers for the Royal Navy. By August, while Britain was reaching a low point, US Ambassador Joseph P. Kennedy reported from London that a British surrender was "inevitable". Seeking to persuade Roosevelt to send the destroyers, Churchill warned Roosevelt that if Britain were vanquished, its colonial islands close to the American shores could become a direct threat to the US if they fell into German hands.

Terms of the Deal:

Roosevelt approved the deal on the evening of 30th August 1940.

On 2nd September 1940, as the Battle of Britain intensified, Secretary of State Cordell Hull signalled agreement to the transfer of the warships to the Royal Navy.

On 3rd September 1940, Admiral Harold Stark certified that the destroyers were not vital to US security. In exchange, the US was granted land in various British possessions for the establishment of naval or air bases with rent-free 99-year leases, on:

- Newfoundland
- Eastern side of the Bahamas
- Southern coast of Jamaica
- Western coast of Saint Lucia
- West coast of Trinidad (Gulf of Paria)
- Antigua
- British Guiana (now Guyana) within fifty miles of Georgetown

The agreement also granted rights for US air and naval bases in:

- The Great Sound and Castle Harbour, Bermuda
- South and Eastern coasts of Newfoundland

The US accepted the "generous action ... to enhance the national security of the United States" and immediately transferred in return 50 *Caldwell*, *Wickes*, and *Clemson*-class U.S. Navy destroyers, "generally referred to as the twelve hundred-ton type" (also known as "flush-deckers, or "four-pipers" after their four funnels).



Forty-three ships initially went to the Royal Navy and seven went to the Royal Canadian Navy. In the Commonwealth navies, the ships were renamed after two towns and so were known as the “Town” class, but they had originally belonged to three classes (*Caldwell*, *Wickes*, and *Clemson*). Before the end of the war, nine others had also served with the Royal Canadian Navy. Five Towns were manned by Royal Norwegian Navy crews, with the survivors later returned to the Royal Navy. HMS *Campbeltown* was manned by Royal Netherlands Navy sailors before her assignment to the St. Nazaire Raid. Nine other destroyers were eventually transferred to the Soviet Navy. Six of the 50 destroyers were lost to U-boats, and three others, including *Campbeltown*, were destroyed in other circumstances.

Britain had no choice but to accept the deal, but it was so much more advantageous to the United States than Britain that Churchill’s aide, John Colville compared it to the USSR’s relationship with Finland. The destroyers were in reserve from the massive US shipbuilding program during World War I, and many of the vessels required extensive overhaul because they had not been preserved properly while inactivated. British Admiral Bertram Ramsay called them the “worst destroyers [he] had ever seen” and only 30 were in service by May 1941. Churchill also disliked the deal, but his advisers persuaded him merely to tell Roosevelt, “[Britain] have so far only been able to bring a few of your [America’s] fifty destroyers into action on account of the many defects which they naturally develop when exposed to Atlantic weather after having been laid up so long”.

Roosevelt responded by transferring ten Lake-class Coast Guard cutters to the Royal Navy in 1941. The vessels of the United States Coast Guard were ten years younger than the destroyers and had greater range, which made them more useful as anti-submarine convoy escorts.

The agreement was much more important for being the start of the wartime Anglo-American partnership. Churchill said in the British Parliament that “these two great organisations of the English-speaking democracies, the British Empire and the United States, [would] have to be somewhat mixed up together in some of their affairs for mutual and general advantage”.

Caribbean Bases: British West Indies

- **Antigua** : Naval Air Station Crabbs at Crabbs Peninsula and an Army Air Force airfield (Coolidge Army Airfield, later AFB) - closed in 1949
- **The Bahamas** : Naval seaplane base on Exuma Island at George Town
- **British Guiana** : An Army Air Force airfield (Atkinson Aerodrome, later AFB) - closed in 1949 - and a Naval seaplane base near Suddie, NAF British Guiana
- **Barbados** : NAVFAC Harrison’s Point, Saint Lucy - closed in 1949
- **Bermuda** : Not part of the exchange, but the US received base rights here for free, in addition to those that were part of the exchange. The US Naval Operating Base was established in 1940, operating as a flying boat base until 1965 (when the US Navy switched to using landplanes from Kindley Air Force Base). The base continued in use for other purposes as the *US Naval Annex* until 1995. Construction began at the same time of a US Army Air Force airfield, Kindley Field, which was attached to Fort Bell and later became Kindley AFB. Transferred to the US Navy in 1970, it operated as NAS Bermuda until it closed in 1995.
- **Jamaica** : An Army Air Force airfield (Vernam Army Airfield, later AFB) - closed in 1949 - and a Naval Air Station (Little Goat Island) and a Naval facility at Port Royal.
- **Saint Lucia** : An Army Air Force airfield (Beane Army Airfield, later AFB) - closed in 1949 - and a Naval Air Station (Gros Islet Bay) NAF St. Lucia - closed in 1977
- **Trinidad** : Naval Base Trinidad, Major base 1941 to 1977 and Two Army Air Force Airfields:
 - Waller Army Airfield, later AFB - closed in 1949
 - Carlsen Army Airfield, later AFB - closed in 1949
 - An emergency airstrip (Camden Airstrip)
 - A Naval Operating Base, a Naval Air Station, blimp base, and a radio station

NATIONAL RIFLE ASSOCIATION

PRESENTS

YOUTH PATHWAY



YOUTH IMPERIAL 11.07.26-16.07.26

SPORTER AIR RIFLE • TARGET RIFLE • GALLERY RIFLE • CLAY TARGET • MCQUEEN

A MULTI-DISCIPLINE
TARGET SHOOTING
EVENT FOR UNDER 25S



YOUNG SHOOTERS' FUND

EMPOWERING THE NEXT GENERATION OF SHOOTERS

An initiative designed to support young people within the shooting community, offering long term loans of firearms and equipment.



APPLICATIONS
OPEN NOW

LEARN MORE

The *Youth Pathway* encompasses all facets of youth shooting within the NRA. To learn more, please visit our webpage:
<https://nra.org.uk/youth-pathway/>





INNOVATION IN TARGET RIFLE SHOOTING

Written by Ben Craig

Target Rifle Shooting occupies a unique place in the world of precision sport. It is a discipline defined by restraint as much as by refinement, where accuracy is pursued within strict technical limits and success is reliant on the interaction of shooter skills, environmental judgement, and engineering excellence. Over more than two centuries, target shooting has evolved from military marksmanship to the competitive sport of today, through a continuous process of technical innovation.

This history is not one of radical, technological leaps alone, but of careful, incremental improvement. Each advancement in rifle design, ammunition, sights, and supporting equipment has competitiveness equality.

In my day job at Ayming, I work with innovative businesses, helping them to receive funding for advancing their fields of technology. Therefore, I felt it appropriate to review some of the innovations over the history of our sport.

Origin of Precision: Early British Rifle Shooting:

The foundations of target rifle shooting were laid in Britain during the early nineteenth century. In the years following the Napoleonic Wars, public and military interest in rifle marksmanship grew rapidly. Advances in rifled barrels, combined with concerns about national defence, encouraged the formation of organised rifle clubs and competitive shooting.

The establishment of the National Rifle Association in 1860 was a defining moment, prompted by the creation of the rifle corps of the Volunteer Force. With it, came formal competitions, standardised courses of fire, and purpose-built ranges such as Wimbledon, and later Bisley. These developments transformed rifle shooting from an informal pastime into a structured sporting discipline.

Early competitors shot with service rifles that were far from ideal. Barrels varied widely in quality, ammunition was inconsistent, and sights offered limited adjustment. Yet the very act of competition created pressure for improvement. Shooters demanded higher levels of precision, and gunsmiths responded with increasingly sophisticated solutions.

Rifling, Barrels, & the Search for Consistency:

Among the most significant early technical innovations was the refinement of rifling. While rifled barrels were not new, their systematic production to tight tolerances was a direct response to competitive shooting. The relationship between rifling twist rates, bullet stability, and long-range accuracy became a subject of serious study.

British rifle makers experimented with steel quality, barrel length, and profile in pursuit of consistency. Over time, the understanding of barrel harmonics as well as heat management improved, leading to heavier and more uniform barrels that could maintain accuracy across long strings of fire. Later techniques such as stress relieving and cryogenic treatment further enhanced barrel stability, which was particularly important at extended distances such as 900 & 1000 yards.



Top to Bottom: Martini-Henry | Lee Enfield No. 1 | Lee Enfield No.4 | Lee Enfield Target Rifle | Swing Target Rifle | Barnard P Model Target Rifle

Further improvements were made in rifling techniques, that is, the mechanism by which the spiral grooves are formed in the bore of the barrel. Although cut rifling, using a cutting tool to individually cut each groove, is the oldest technique (having first been invented in the 1500s in Nuremberg), it remains the favoured approach for the best barrels to this day. However, other mechanisms have been experimented with over the years: broach rifling, button rifling, and hammer-forged rifling were all invented in the late 19th century and refined in the early 20th century, but a combination of their complexity and the reduced accuracy of the resulting barrels means that these techniques have still not displaced cut rifled barrels at the peak of accuracy.

However, the technology in this area continues to develop. A well-known barrel manufacturer was recently heard to say “I know the difference between a good barrel and a bad one, but I can not tell you what makes a barrel a *really* good one”

The Evolution of Iron Sights:

Sight technology has perhaps seen the most visible and distinctive development within target rifle shooting. Early rifles were equipped with simple notch or ladder sights, suitable for battlefield use but poorly adapted for precise competition.

Target shooters quickly recognised the need for repeatable and measurable adjustments. This led to the adoption of vernier and micrometer rear sights, capable of fine elevation and windage changes. By the late 19th and early 20th centuries, British sight makers were producing rear sights with precisely graduated scales that allowed shooters to record and reproduce settings for different distances and conditions.



Photo of a rear sight from a Lee Enfield No. 4

Even over the last few decades, further technological developments have occurred. Many shooters will remember using foresight elements, and changing them between ranges to reflect different target sizes and light conditions. These have largely, though not entirely, been supplanted by variable iris foresights, which allow a much quicker and simpler change of aperture. Similarly, ladder-mountings for foresights are a relatively recent innovation, which allows a consistent rear sight height across different distances, and hence a more consistent shooting position.

In combination, all these systems allowed shooters to translate environmental observations into precise mechanical adjustments, a hallmark of the discipline that persists today.



Example of a present day target rifle foresight



Example of a present day target rifle rear sight

Standardisation and the Emergence of TR:

As rifle shooting matured, the need for standardisation became clear. Without agreed limits, technological escalation risked undermining the competitive balance of the sport. The formal definition of TR emerged as a distinct discipline separate from



Match Rifle, Service Rifle, and other forms of long-range shooting.

In the UK, target rifle competition came to be defined by strict rules governing calibre, rifle weight, trigger characteristics, and sighting systems. The adoption of standard calibres, first the .303 British and later the 7.62mm NATO or .308 Winchester, ensured that competition remained focused on skill rather than equipment advantage. The NRA created TR as a distinct discipline in 1968, evolving it from the old SR(b) category, and using the 7.62mm cartridge.

Improvements in bedding, action truing, and manufacturing tolerances became key areas of development, all aimed at achieving repeatable accuracy rather than dramatic technical advantage.

Ammunition Development and Ballistic Understanding:

No discussion of technical innovation in target rifle shooting would be complete without considering ammunition. Early competitors were often required to cast bullets and load cartridges by hand, working with black powder and soft lead projectiles. Variability was high, and vertical stringing on targets was common.



Left to Right: Ammo of a Martini-Henry (1893) | .303 Ammo | .308 Ammo (currently used in Target rifle competitions)

The transition to smokeless powder brought immediate benefits in consistency as well as ballistic efficiency. Over time, ammunition manufacturers, often working closely with competitive shooters, developed match-grade cartridges with tightly controlled bullet weights, powder charges, and case dimensions.

Although NRA competitions, and those in which we will be shooting in the West Indies, continue to use issued ammunition, many other competitions allow hand-loads. This enables shooters to develop and tune their loads to their rifles, seeking to create ever more accurate ammunition. Refined techniques allow control of neck tension, seating depth, and powder measurement with extraordinary precision. Ballistic understanding advanced in parallel, with shooters learning to interpret wind conditions, mirage, and atmospheric effects on bullet flight.

Even factory ammunition has gone through improvements in the relatively recent past. Older TR shooters will recall the days when the issued RG round used a 144gr bullet, before its replacement in the 1992 with 155gr led to a significant improvement in accuracy and scores - particularly at long range. Refinements in the manufacturing process since, and the switch to other manufacturers, have led to further improvements, but the search for improved accuracy continues.

Stocks, Ergonomics, and Human Factors:

As mechanical accuracy improved, attention increasingly turned to the interface between shooter and rifle. Traditional wooden stocks gave way to designs that prioritised repeatability of position and comfort over aesthetics alone.

Modern adjustable cheekpieces, variable length of pull, and improved grip geometry allow rifles to be fitted to individual shooters. These changes reduce fatigue and help to ensure that each shot is delivered from a consistent firing position, which is particularly important in prone shooting over long competitions. This trend has continued over the last few decades with the development of all-metal stocks, allowing even more adaptability, and offering improved precision with machined metal.

Trigger mechanisms have also evolved significantly. While remaining in regulatory limits, modern target rifle triggers offer clean, predictable release characteristics that minimise disturbance at the moment of firing. The refinement of these components reflects the broader philosophy of the sport, which seeks to remove unnecessary variables while preserving the challenge of execution.



Above: Example of a wooden target rifle stock

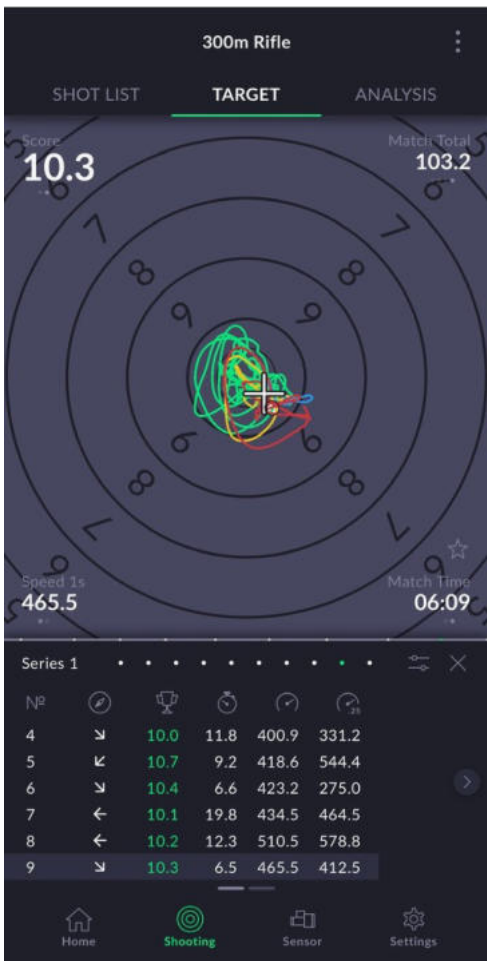


Above: Example of a fully metallic target rifle stock



Modern Data and Training Technologies:

Although competition rules remain deliberately conservative, modern target rifle shooters benefit from technological advances in training and preparation. Electronic targets provide immediate feedback during practice, enabling shooters to analyse group size and shot placement without leaving the firing point. The pros and cons of the various target systems are debated among shooters, with reliability, accuracy, durability, and ease of use varying between manufacturers. Those manufacturers are continually seeking to improve their electronic targets.



Ballistic software, environmental sensors, and data logging tools allow competitors to model bullet behaviour with remarkable accuracy. These tools do not replace judgement on the firing point, but they enhance understanding and preparation. This then allows a shooter to analyse their results, and to adjust equipment and technique in search of incremental improvements.

Further innovation has been seen in the development of electronic ‘dry firing’ training systems, most notably SCATT, since the 1990s. These tools allow shooters to train, and to gain feedback on their technique, without firing live rounds, but most importantly they provide a detailed analysis of the movement of the rifle in the lead up to shot release. Building these systems to give accurate, reliable results, and (in recent years) to allow their use for live-fire as well, has required significant efforts from the developers.

Conclusion:

The history of technical and engineering innovation in TR shooting is a story of disciplined progress. From early rifled barrels and rudimentary sights to today’s finely tuned rifles and sophisticated ballistic understanding, each generation has built carefully on the last.

TR continues to reward those who combine technical knowledge with patience, judgement, and skill. Its innovations have never been about excess, but about refinement. In that restraint lies the enduring appeal of the discipline, and the reason it continues to challenge and inspire precision shooters well into the modern era.

We're proud to sponsor this article by one of our own, Benjamin Craig, as he journeys to the West Indies to represent the England Rifle Team.

FURTHER TOGETHER



www.ayming.co.uk

Peaceful Pets

The Pet Crematorium for large and small pets
would like to wish

The 2026 England Rifle Team

every success on their trip to the West Indies



 www.peacefulpets.org.uk

 01485 528141

 peaceful_pets@btconnect.com

 The Grange, West Rudham,
Norfolk, PE31 8SY



BLOC[®]

**Worn by the 2026 England
Rifle Team**

**Maximum UV protection Class 1
optical shatter proof polycarbonate
lenses for maximum clarity.**

**Discover the perfect pair of
sunglasses to suit your style and
mood, and see the world in a whole
new light with BLOC.**

www.bloceyewear.com



FUNDRAISING FOR THE WEST INDIES



“I’m 50, I’m not old!”

I have heard fundraising tales of old crumpled water damaged £5 notes coming back to you within a year if you marked it at Bisley. A raffle here, bottle of Gin there and apparently something I won at the auction of promises that I just can’t remember putting my name down or hand up for. It would make sense if we had our own currency, the “Bisley-bull” or the “Hit-coin” or we could just continue trading in Bisley team Gin for lunches or in exchange for more raffle tickets.

In fundraising, it is often the same generous faces who support these events because they get it! It’s not always the best shots or the most wealthy individuals who put their hand in their pocket or swipe their card over the chip and pin reader.

It’s the members of our shooting community who perhaps have toured and realise that it is expensive and know how important fundraising is for a team. It’s not always about needing a new Phoenix barrel right now or wanting an England tour calendar featuring the squad in branded budgie smugglers from Antigua.

It’s about the sport that we love and encouraging shooters to challenge and better themselves on tour. If we can remove any part of the financial burden of touring from the minds of the shooters and allow them to focus solely on their performance, then you will have helped in the most outstanding, discreet and unquantifiable way.

I hope you will enjoy being part of our team’s journey and following our adventures in the West Indies.

The England team would like to thank you for your continued support and I personally look forward to shaking your hand when I next ask you to buy a raffle ticket.

Written by David Colegate



Brandon Green, GM, winner of the 2025 H.M. King’s Prize, helping the England Captain, Phil Chapman-Sheath and David Colegate to select the winners of the Phoenix & 10.9 raffle prize draw.

Collecting Used Brass For The England & NRA Target Rifle Teams 2026.

Please use the collection bins in the armouries
at Bisley or place them in the collection bin
located outside the Ibis Clubhouse.

10% Of Your Support will go to the Cerebral
Palsy Charity "Heel & Toe"

Or Text 07423 802763

to arrange a collection or drop off.



BLOC
SWATCOM

ANNIOU



ION8 HPS Ltd

East Midlands Regional Range
Target Shooting Excellence in the Heart of the UK



**£10
ENTRY**

WIN £1000 CASH

**DRAW
25TH JULY
2026**

<p>***** 00001 The England Rifle Team 2026 & NRA Channel Islands Team Name _____ Address _____ Phone _____ Email _____ All monies and unsold tickets to be returned to the promoter before the draw date.</p>	<p>***** The England Rifle Team 2026 & NRA Channel Islands Team Promoter: Mr D Colegate, 23 Westerleigh Road, Downend, Bristol 00001 Big Cash Raffle  1st Prize £1000.00 2nd Prize £300.00 3rd Prize £150.00  To be drawn on Saturday, 25th July 2026 Registered with South Gloucestershire Council No' 1011 Printed by: Raffle Tickets 4U - www.raffletickets4u.co.uk Ticket Price £10.00</p>
---	---

TEXT YOUR NAME AND THE WORD "CASH" TO

07423 802763

TO RECEIVE A £10 PAYMENT LINK.

10% OF THE PROFIT WILL BE DONATED TO CHARITY

THE ENGLAND WEST INDIES & NRA CHANNEL ISLANDS TR TEAMS 2026

**MACMILLAN
CANCER SUPPORT**



**PAPYRUS
PREVENTION OF YOUNG SUICIDE**



2026 England and NRA Target Rifle Teams



Sponsorship Announcement

Our Valued Team Sponsors and Partners

We are proud to introduce the team sponsors of the England West Indies and the NRA Channel Islands target rifle touring teams for 2026.

The teams are deeply grateful for the generosity of our sponsors, whose products, expertise and support play an essential role in the teams' preparation, and anticipated successes.

Team Sponsors

We are proud to be wearing the logo's of SWATCOM, HPS, and PHOENIX Barrels on our official team touring kit.

SWATCOM™

Partnering with the company that manufactures the finest ear protection in the world is a genuine privilege. Swatcom's design and innovation ensures that our teams can perform safely and comfortably as they compete at the highest level in challenging conditions.

The teams are excited to be part of Swatcom's new product launch of the Active 360 electronic ear defenders to the international market. It is an honour to be the first teams to be using and endorsing this amazing new revolutionary ear protection system.



HPS Target Rifles

Renowned for their excellence in ammunition manufacture, HPS continues to set the benchmark for quality and reliability. That's why both touring teams have been training using HPS ammunition ahead of the Caribbean and Channel Islands tours.

HPS has supported the target rifle community for decades and continues to offer outstanding service and expertise to our teams as we prepare our firearms for the rigors of touring.



THE PHOENIX
BARREL COMPANY

Precision, reliability, performance and outstanding results. It's no wonder that so many members of both teams are using Phoenix Barrels.

The craftsmanship of Phoenix Barrels is trusted by our shooters, coaches, and armourers alike.

Each barrel delivers consistent accuracy, precision and repeatability for every shot.

Sun Protection & Hydration Partners

A critical consideration for the teams is being able to perform at the highest level in the extreme heat and in high UV levels. We are immensely proud to be working with BLOC tactical eyewear, ANNIU clothing and ION8 insulated bottles. These partners will ensure that the teams can perform at their peak performance in challenging conditions and ensure that our squads remain safe, focused, and ready to win, whatever the conditions.



TACTICAL EYEWEAR

With over 35 years of experience in design and manufacture of high-performance eyewear, Bloc Tactical are the world's leading eyewear specialists, based in the UK. Bloc Tactical's ballistic eyewear are the ultimate eyepro solution - fully tested and certified to global standards and ensuring fog and distortion free clarity with maximum UV protection.

We're proud to be part of Bloc's product development programme, partnering with SWATCOM, to help bring another innovative design to the shooting community soon. Full details will appear in the next edition of the NRA Journal.



ANNIU

Anniu is the world's leading supplier of UPF 50+ UV-protective fabrics and clothing, dedicated to preventing skin cancer, premature aging, and sunburns. Anniu's cutting-edge UV-proof garments will be keeping the England team safe from the intense Caribbean sun. We are incredibly grateful for their support.

The teams are also thrilled to collaborate with Anniu on developing a range of technical shooting undergarments and UV-protective tops that will not only enhance performance but also provide vital protection for our sport and its athletes.

ION8

Hydration is critical to performance and ION8 knows all about hydration in extreme heat. The eyes are the first part of the body to show dehydration - not ideal for shooting! They make strong, sustainable, reliable and good-looking insulated water bottles in the UK. ION8's bottles deliver reliable cool hydration, even in the most demanding climates, ensuring the shooters bodies are in peak condition and eyes remain in focus.

"ION8 is proud to support the England, GB Canada & USA and NRA Target Rifle Teams as their official Hydration Partner for 2026, providing high-performance reusable bottles designed for focus, precision and sustainability"

A Big Thank You

Our sincere thanks go to all of our sponsors and supporters as well as EMRR, RS Powder, and Evans of Bisley for their ongoing support with supplies and fundraising. Your contributions are vital to the success of our touring teams and to the continued growth of British target rifle shooting.

Thank you for being part of our journey.

2026 England and NRA Target Rifle Teams



We Love Fundraising!

2026 will soon be upon us and it's another busy year for touring teams in the shooting world.

The NRA Channel Islands target rifle team has joined forces with the England West Indies Team 2026 to fundraise together. Double the teams, double the fun!

Whether you have pennies, pounds or brass to spare, please support us in any way you can!

Thank you.

Brassed for cash

It's nearly Christmas and we are Jing, Jing, Jingling!

Brassed for cash returns for the 2026 season. To the uninitiated, we help you to clear out spent small-bore and full-bore cases in addition to any other brass items you can donate. Please place your brass in the branded bin outside of the Ibis clubhouse on club row at Bisley, or contact a team member to arrange a drop off.

If that's not enough to convince you, in 2024 the NRA CI team raised £1,000 for the Down Syndrome Association from brass donations. For 2026 we aim to beat that figure as we have 2 teams fundraising and will be donating 10% to "Heel & Toe" - a charity supporting Cerebral Palsy. A win-win all round!



"Big Cash Raffle!" - Win £1,000 Cash

Tickets are on sale from now until 25th July 2026. At only £10 a ticket, you can win £1,000 hard cash!

10% of profits will be split between Macmillan Cancer Support and Papyrus, a prevention of young suicide charity.

Shooters and non-shooters welcome! Please speak to a member of the team to enter or see our socials for details.

Raffle - Phoenix Barrel & Fitting by HPS

Win a Phoenix Barrel including fitting by our teams' sponsors, HPS & Phoenix Barrels.

This popular raffle will be returning in April 2026 with the winner being drawn by the HRH King's Prize winner at the 2026 Imperial meeting.



The England Touring Team to the West Indies May 2026

The NRA Touring Team to the Channel Islands May 2026



Fundraising Raffle

A Phoenix Barrel, inc. HPS Fitting



Tickets cost:

£20

OR

2 Tickets for:

£30



To Enter: Text your name and "1" or "2" to:
07423 802763, to receive a payment link for £20 or £30

Raffle drawn on Kings Final Night 2026 by H.M. King's Prize Winner!

Multiple
entries
permitted!

The County of Gloucestershire RA

We would like to congratulate our teammates Matt Blythe, David Colegate & Dan Studholme on their selection, and wish the whole England Rifle Team the best of luck in the West Indies



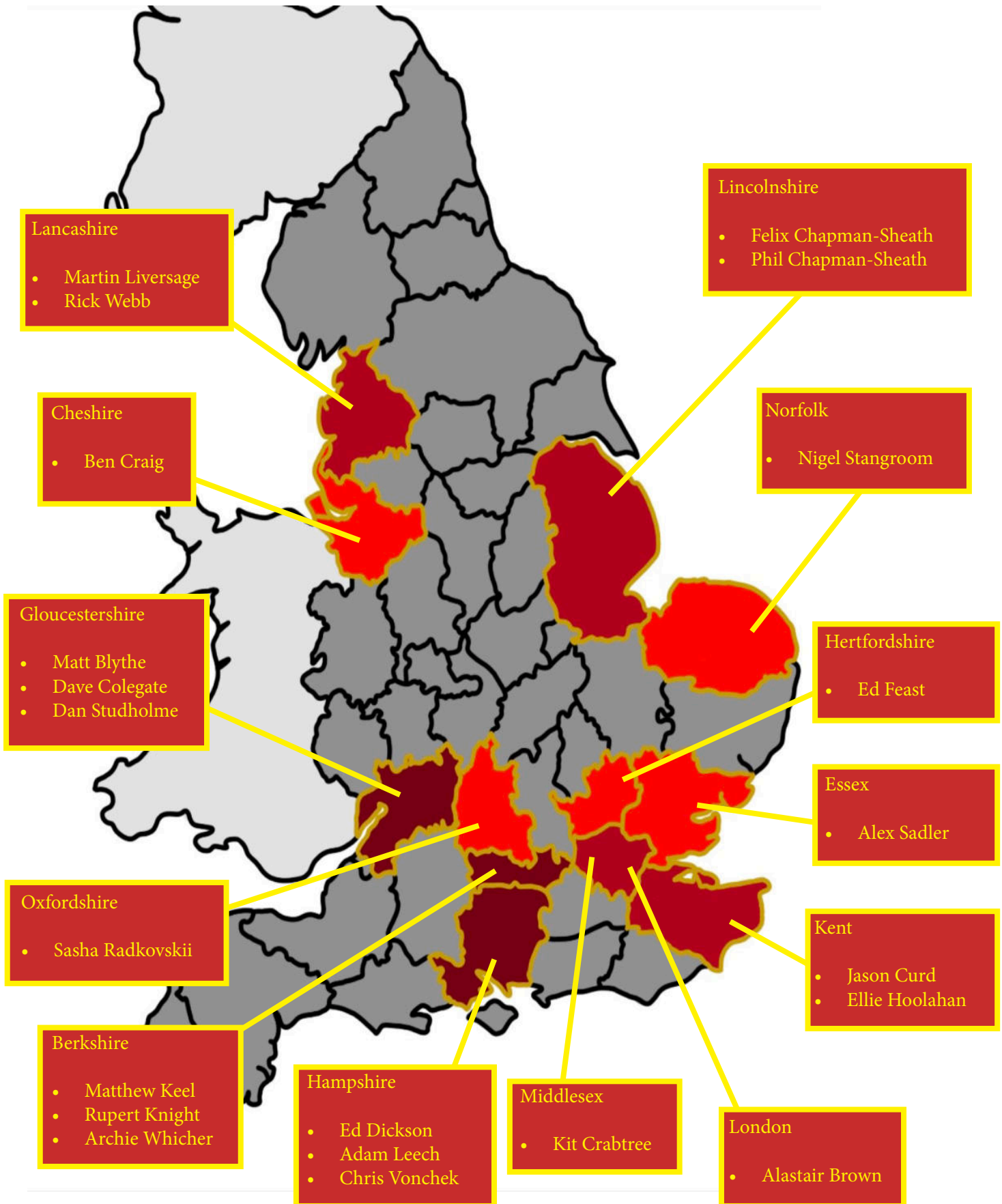
Ibis Rifle Club (1992)



The Ibis Rifle Club (1992) wishes
David Colgate
and
the England Rifle Team
every success in the West Indies!

New Members welcome: Our modern clubhouse provides members with a lounge, kitchen and accommodation. For membership details please see our website: Ibisrifleclub.co.uk

COUNTY REPRESENTATION OF THE 2026 ENGLAND TARGET RIFLE TEAM





FUNDRAISING & SPONSORS

*Written by David Colegate
England Rifle Team
Adjutant, NRA Channel Islands Team 2026*

Fundraising:

You may have noticed that the England team are fundraising and sharing its touring partners with the NRA Channel Islands team this year. Both captains are passionate about developing the next generation of shooters and encouraging the progression pathway of team shooting. We hope that by fundraising and shooting together, it can help to eliminate the imposter syndrome that can exist when you are progressing in your shooting career. We also hope that by the continual use of the English Lions development pathway, as well as the NRA Channel Islands Team, it will continue to generate future England caps.



Our Team Sponsors & Partners:

We are immensely proud to have an amazing group of sponsors and partners working with the England team. They are so critical in supplying the team with the elite products and services that allow us to perform at our best. Our kit sponsors each bring a crucial level of support to the team. This includes the training, ammunition and gunsmithing from HPS, the best barrels that England can provide from Phoenix Barrels and unrivalled hearing protection from Swatcom. We are proud to wear these companies' logos on our official team kit while we are competing in the West Indies.

A key consideration for the team is the anticipated UV levels, humidity and the temperature that we can expect in Guyana, Antigua & Barbuda. We are immensely thankful for the support of our hydration, eye safety, skin safety and UV partners. They have advised us, equipped us and will be working alongside us as we take steps to minimize these influences, which will enable us to perform at our best.

Ion8 is our hydration partner, supplying us with amazing, insulated bottles that we can use to take our electrolytes throughout the day. Bloc is providing us with outstanding sunglasses, so that we can rest our eyes between competitions and protect ourselves from the UV rays. Pelotan is our skin care partner, advising and protecting the team with their super roll on sunscreen.

Finally, we cannot thank Anniou enough for their partnership as our UV Protection specialist. Anniou, who are the leading experts and producers





of UV clothing, in association with the England team, created a range of revolutionary cooling undergarments, UV hats and UV coaching tops. These exceptional shooting garments will be coming to the UK shooting market in the near future.

When it comes to getting our shooting kit ready for the rigors of touring, we have the best. Anticipating soaking wet, sweaty shooting gloves, spares for our rifles, jacket adjustments, replacement eagle eyes and irises. We are thankful for the support of Kurt Thune, helping to equip the team with their outstanding solid short gloves and slings, alongside East Midlands Rifle Range shop who have supported us as their UK representative.

Pippa at TenPointNine tailoring for looking after the team with jackets, embroidery, personalised range towels, as well as Mac-Caps. Additionally, Regatta and Cotswold Outdoors for looking after the team with the touring and training clothing, as well as Rab for providing our kit bags.

As you can see, we have been blessed by the kind support of these premium companies. We will be repaying their generosity by acting as ambassadors whilst on tour and by introducing these products and services to shooting teams when we are competing in the West Indies.

Thank you
The England Target Rifle Touring Team 2026



The England Target Rifle Touring Team 2026

Proudly wearing Swatcom's fully certified,
Anti-fog ballistic eyewear.

Protecting our eyes and providing crystal clear vision as
we represent England in the West Indies



ION8

The England Target Rifle Touring Team 2026

Proudly using Ion8 Insulated bottles
and our official Hydration Partner



ANNIOU

The England Target Rifle Team 2026

Proud to be wearing Anniou UV
protective clothing



HPS Ltd

The England Target Rifle Touring Team 2026

Using HPS ammunition, servicing
& supplying the touring team.





ACKNOWLEDGEMENTS

The 2026 England Target Rifle Team to the West Indies would like to extend our wholehearted thanks to the following organizations and individuals for their support in our preparation for the tour:

All England team members, notably Chris Vonchek for designing the brochure and Sasha Radkovskii for the artwork.

Al Haley - Vantage

Anniou

Ant Ringer - Peaceful Pets

Antigua & Barbuda Rifle Association

Ayming

BLOC

British Young Shooting Association

Cotswold Outdoor

David Colegate

East Bristol Rifle & Pistol Club

East Midlands Regional Range

Gloucestershire Rifle Association

Guyana National Rifle Association

Hertfordshire Rifle Association

HPS

Ibis Rifle Club

Ion8

James Lewis

JRW Ltd.

Kurt Thune

North London Rifle Club

NRA Channel Islands Team 2026

Parrot Rifle Systems

Pelotan

RAB

Regatta

RGS Guildford

Robert Nibbs Rifle Maker

Simon Hayton

Simon Shouler - Clearview Scopes

Solihull Rifle & Pistol Club

Southampton Small Bore Rifle Club

Stangroom Bros Ltd.

Swatcom

Ten Point Nine Tailoring

The English Twenty Club

The National Rifle Association

The Phoenix Barrel Company

Thomas Smith

Thank you



We wish the
England team
every success
on its **2026 tour**



East Midlands Regional Range Shop

1 Butler Close, Cropwell Butler, Nottingham NG12 3AF

Tel. 01159 332517 / 07867 588300 contactus@emrr.org.uk www.emrr.org.uk

HPS Target Rifles Limited

Bringing Quality and Innovation to the Shooter

For all your Shooting Needs – Visit HPS!



HPS can provide you with all loading components (powder, primers, cases and bullets) for your hand loading requirements. For those who hunt we can also look after your every need. **Gamekeeping, Hornady SST and Nosler bullets** easily supplied. If you prefer not to hand load HPS offers factory loaded ammunition to comply with Forestry Commission Legislation and a **bespoke loading service tailored to your rifle.**

To ensure your equipment is on target why not see us for a **FULL RIFLE SERVICE** which generally takes one hour. Cost £65 including VAT

**For more information get in touch and let us know your requirements.
We look forward to seeing you!**

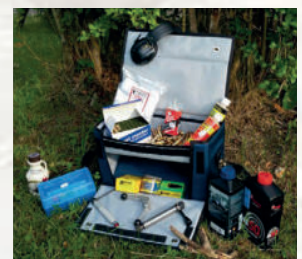
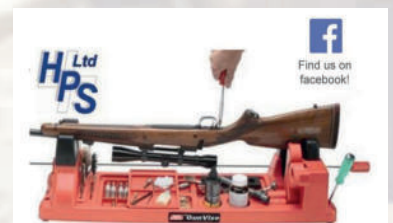
HPS TR Ltd is a commercial manufacturer and supplier of a vast range of top quality ammunition, from new to once fired to reloading free issues cases. HPS offers a bespoke ammunition service for both sport shooting and hunting.

Manufacturing their own aluminium and wooden rifle stocks, HPS can build you a custom rifle to suit your specification. From **ammunition, rifles, range equipment and accessories**, HPS provides the sport shooter with a variety of products and services and should be your first stop for all your shooting needs.

HPS will be displayed at the following shooting events in 2026:

- 157th Bisley Imperial Meeting
- 2026 F-Class World Championships.

Dates TBC.





THE
PHOENIX
BARREL COMPANY



THE PHOENIX BARREL COMPANY

The highest quality stainless steel rifle barrels.

A variety of standard calibres and bespoke specifications.

The very best of British precision engineering based in the manufacturing heartland of Birmingham, UK.

MADE BY SHOOTERS, FOR SHOOTERS

info@phoenixbarrels.com